



181-040
M29504/15 Style Front Release Socket Terminus
Size 16

181-040-1260 C N

Product Series ————
Basic Number ————
Dash Number (Table I) ————

N = Alignment Sleeve Assembly Not required
(Omit to receive Alignment Sleeve)
Crimp Sleeve Designator
Omit if None (See Table II)

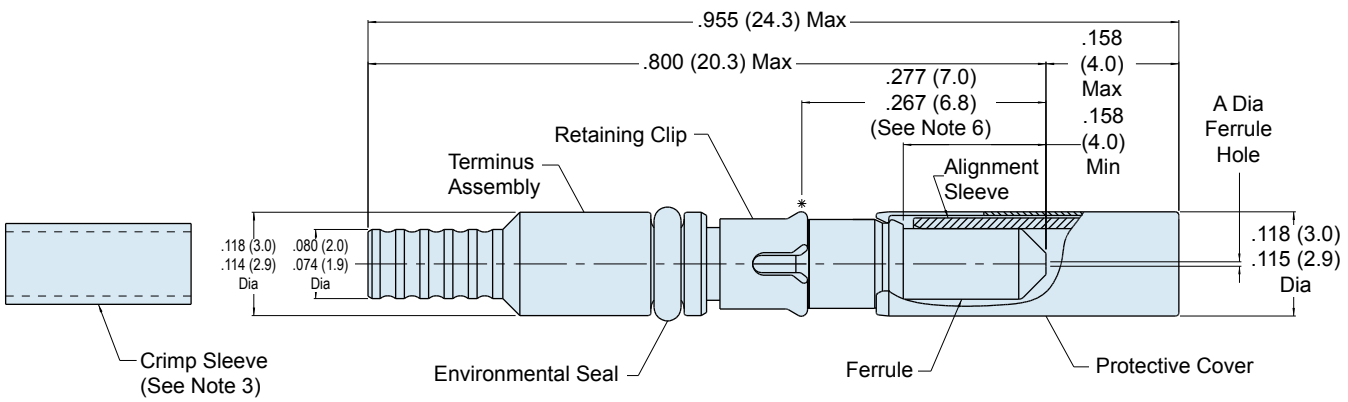


TABLE I: DASH NUMBER

Assembly Dash Number	A Dia (Microns)
1250	126.0 125.0
1255	126.5 125.5
1260	127.0 126.0
1270	128.0 127.0
1420	143.0 142.0

Consult Factory for Additional Sizes

TABLE II: CRIMP SLEEVE DESIGNATOR

Designator	Cable Diameter	Part Number
C	2.0-2.4 mm (MIL-Spec)	265-008

TABLE III: TERMINUS ACCESSORIES

Part Number	Accessory
265-010	Alignment Sleeve Assembly
182-012	Crimp Tool
182-013	Insertion Tool, Straight
182-014	Insertion Tool, 90°
182-015	Removal Tool
182-016	Alignment Sleeve Assembly Insertion/Removal Tool
182-017	Hand Polishing Tool

APPLICATION NOTES

1. Assembly packaged in plastic bag and tag identified with manufacturer's name and part number
2. Material/ Finish:
Alignment Sleeve, Ferrule: Zirconia Ceramic/ N.A.
Protective cover: Spring Alloy / Nickel
Terminus Assembly: Stainless Steel / Passivate
Retaining Clip: Spring Alloy / N.A.
Seal: Fluorosilicone
3. Crimp Sleeve: Brass Alloy / Nickel
Alignment Sleeve Assembly and Crimp Sleeve may be ordered separately (Tables II and III)
4. Metric dimensions (mm) are in parentheses.
5. Dummy Terminus: Part Number 181-051
6. Dimension to be measured when installed into insert equivalent fixture per MIL-PRF-29504/15